



5035
Product



The Kramer compact genius

The all-wheel steer loader 5035 became known with the name "350". The 5 series model is a compact and manoeuvrable wheel loader. This machine's clearance height of under 2m means that, for example, work can be carried out effortlessly in underground car parks. The compact width of 1.20 m also allows the wheel loader to drive on the pavement. Optionally, the wheel loader can be equipped with a larger engine and tractive force increase. The wheel loader's compact dimensions and the low shipping weight make it possible to easily transport it with a 3.5 t trailer.

- The Kramer system: The one-piece chassis and time-tested and proven Kramer all-wheel steering ensure optimal stability and maximum payload on uneven ground
- Compact dimensions: The clearance height of less than 2 m and the width of less than 1.2 m make the 5035 a compact genius
- Flexible application: With the Kramer quickhitch plate you can use a number of attachments from buckets with a volume of 0.35 m³ to 0.55 m³, depending on material density, to snow blower protection
- Wide field of view: the low approach of the Kramer loader unit enables perfect all-round visibility from the one-piece chassis
- Unbeatable manoeuvrability: 1,900mm turning radius (tyre outer edge) realised by 2x 38 degree steering lock



5035 Technical specifications

Operating data	
Bucket capacity (standard bucket)	0.35 m ³
Operating weight (CANOPY)	1,620 kg
Engine / Motor	
Engine / Motor manufacturer	Yanmar
Engine performance (option)	27 kW
Engine performance (standard)	23 kW
Emission standards stage (standard)	IIIA
Power transmission	
Traction drive	Continuously variable, hydrostatic axial piston transmission
Travel speed	20 km/h
Standard tires	28x9.00-15
Max. steering angle	2x38 °
Steering and operating hydraulics	
Max. pump discharge capacity	20 l/min
Max. pump pressure	240 bar
Max. Powerflow discharge capacity	60 l/min
Kinematics	
Design system	Z-kinematics with optimised parallel motion
Tipping load (with bucket)	1,250 kg
Payload (S=1.25)	750 kg
Tilt-in angle	40 °
Tip-out angle	45 °
Filling capacities	
Fuel tank	30 l
Hydraulic oil tank	40 l
Sound emission	
Measured value	100 dB(A)
Guaranteed value	101 dB(A)
Noise level at the driver's ear	84 dB(A)
Vibrations	
Total vibrations value of the upper body extremities	< 8.2 feet/s ²
Highest effective value of weighted acceleration for the body	< 1.64 feet/s ²

All statements without guarantee.

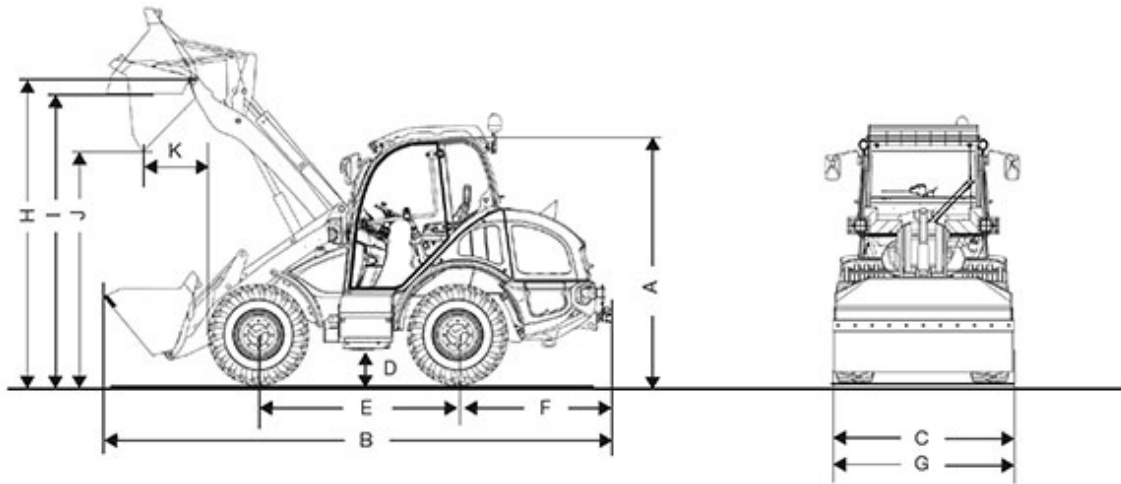


KRAMER
on the safe side

Additional technical data is available in the detailed brochure in the informational material section.



5035 Dimensions



A	Height	1,990 mm
B	Length	4,080 mm
C	Width	1,200 mm
D	Ground clearance	230 mm
E	Wheelbase	1,525 mm
	Center of front axle to tip of teeth	1,360 mm
F	Center of rear axle to end of vehicle	1,195 mm
G	Bucket width	1,200 mm
H	Bucket pivot point	2,790 mm



I	Overhead loading height	2,680 mm
J	Dumping height	2,250 mm
K	Dump reach	165 mm
	Stack height	2,680 mm
	Turning radius (over tyres)	1,950 mm

Alle Angaben wurden mit folgender Bereifung ermittelt: 28 x 9.00 – 15

Please note

that product availability can vary from country to country. It is possible that information / products may not be available in your country. More detailed information on engine power can be found in the operator's manual; the stated power may vary due to specific operating conditions.

Subject to alterations and errors excepted. Applicable also to illustrations.

Copyright © 2018 Kramer-Werke GmbH.